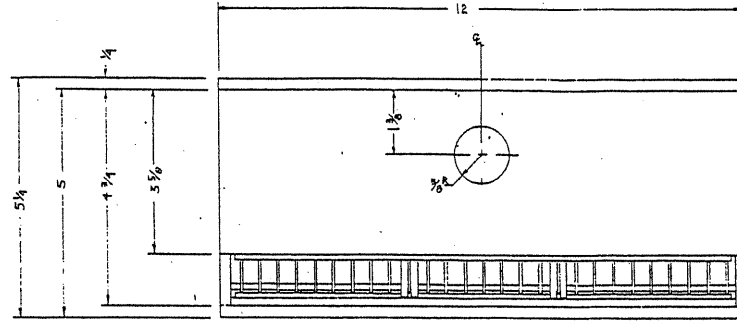


**CUTTING LIST**

- Top ~ 1/4 x 3 5/8 x 12
- Bottom ~ 1/4 x 5 x 12
- Back ~ 1/4 x 9 x 12
- Sides (2) ~ 1/4 x 4 3/4 x 10 1/2
- FALSE TOP ~ 1/4 x 3 3/4 x 11 1/2
- FRONT ~ 1/2 x 2 1/2 x 11 1/2
- DOOR ~ 1/4 x 3 3/4 DIA.
- PERCHES (2) ~ 3/8 DIA. X 4 5/8 LONG

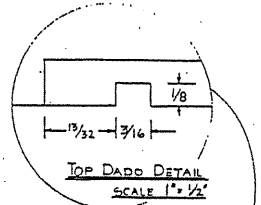


**TOP VIEW**

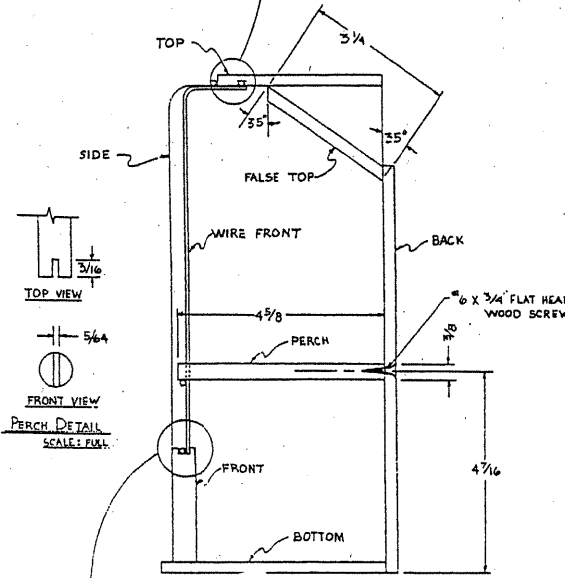
SCALE: 1/2" = 1"

**HARDWARE**

- 12" ~ 1/16 DIA. BRASS BRAZING ROD
- 6 ~ 5/16" LONG STAPLES
- 2 ~ "6 x 3/4" FLAT HEAD WOOD SCREWS
- 1 ~ SHOW CAGE FRONT W/ 27 VERTICAL BARS (SNAP-IN STYLE)

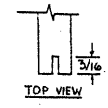


**TOP DADO DETAIL**  
SCALE: 1" = 1/2"

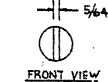


**SECTION A-A**

SCALE: 1/2" = 1"

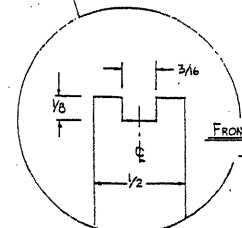


**TOP VIEW**



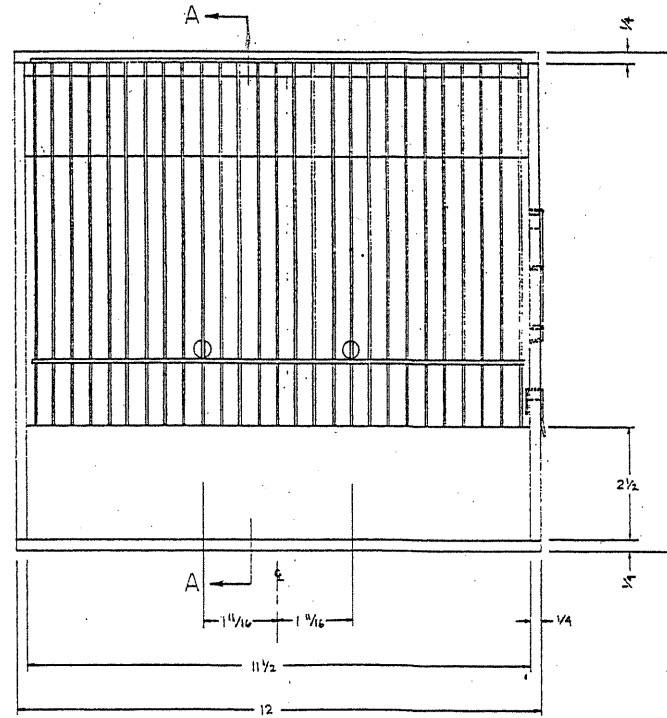
**FRONT VIEW**

**PERCH DETAIL**  
SCALE: 1" = 1/2"



**FRONT DADO DETAIL**

SCALE: 1" = 1/2"

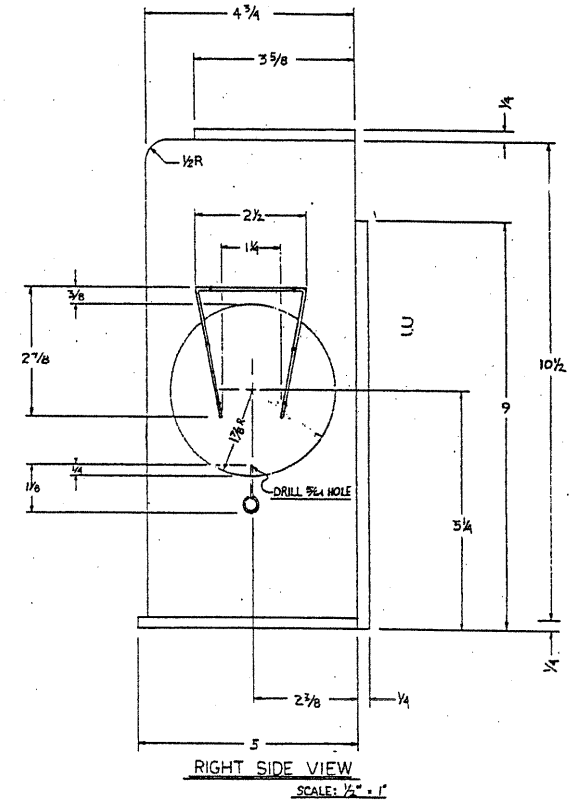


**FRONT VIEW**

SCALE: 1/2" = 1"

**NOTES**

- 1) THE "I NFS CAGE IS USED FOR SMALL FINCHES UP TO AND INCLUDING ZEBRA-SIZE BIRDS.
- 2) CABINET-GRADE HARDWOOD PLYWOOD IS RECOMMENDED.
- 3) ASSEMBLE WITH WOOD GLUE AND 5/8" LONG BRADS.
- 4) ALL DIMENSIONS ARE GIVEN FOR NOMINAL 1/4" PLYWOOD, HOWEVER, YOU MUST CHECK THE ACTUAL THICKNESS OF THE MATERIAL YOU ARE USING AND ADJUST THESE DIMENSIONS TO ACHIEVE SPECIFIED OVERALL SIZE.
- 5) DIMENSIONS ARE GIVEN IN INCHES UNLESS OTHERWISE SPECIFIED.
- 6) PLANS ARE DRAWN TO ACCOMMODATE 27-WIRE SNAP-IN FRONTS.
- 7) DOOR HINGE AND LATCH ARE FORMED WITH 1/16" DIA. BRASS BRAZING ROD. HINGE: ADD 1/4" TO MEASUREMENT GIVEN FOR EACH SIDE (3/8" EACH), THIS 1/4" IS BENT 90° AND DRIVEN INTO DOOR. DRIVE 4 STAPLES OVER HING AS SHOWN. HINGE IS ATTACHED TO CAGE WITH TWO ADDITIONAL STAPLES. LATCH: FORM LOOP AS SHOWN, MEASURE 1 1/8" AND BEND 90°, CUT 1" BEYOND BEND. INSERT THROUGH 5/64" HOLE IN DOOR, BEND END DOWN. (SEE "FRONT VIEW")
- 8) PAINTING: EXTERIOR - BLACK, SEMI-GLOSS.; INTERIOR - WHITE, PALE BLUE (SHERWIN-WILLIAMS #SW1494 - LGT. TUBE WHITE, 1/4" = 1/28" BLUE, 1/2" = 1/28" GREEN, 1/28" BLACK), OR PALE BEIGE (SHERWIN-WILLIAMS # SW1081 - 1 ST. PURE WHITE, 1/32" = 1/24" YELLOW, 1/4" MAROON, 1/4" BLACK) NOTE: THE ABOVE FORMULAS ARE NOT MANDATED BY NFS AT THIS TIME BUT MAY BE IN THE NEAR FUTURE.



**RIGHT SIDE VIEW**

SCALE: 1/2" = 1"

<b>NATIONAL FINCH &amp; SOFTBILL SOCIETY</b>		<b>NFS 1</b>	
		<b>STANDARD SHOW CAGE</b>	
SCALE:	As NOTED	DATE:	4.18.93
DRAWN BY: <i>Marlene Cline</i>			